



Features

- These units facilitate the interconnection of blasting circuits and blasting cable to a Shot Exploder or mains operated Boosters. Two alternatives are available for various applications.

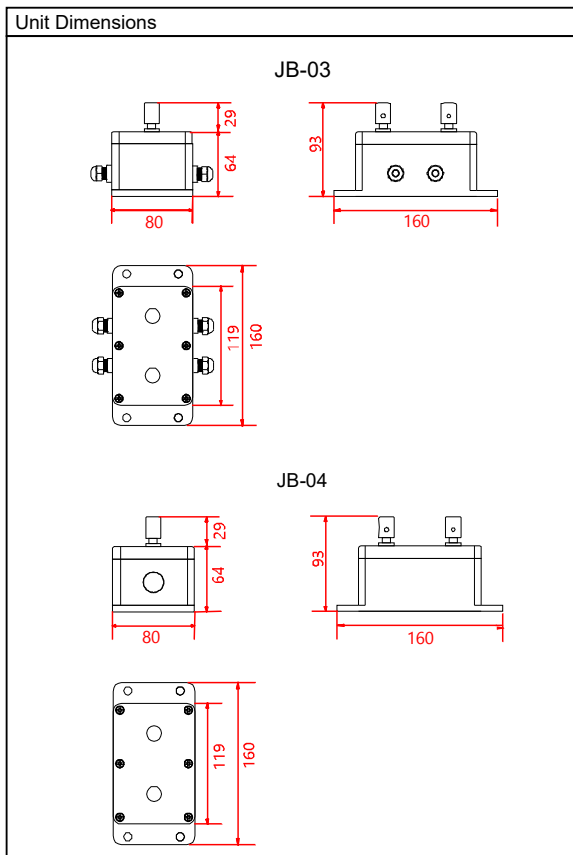
Operation

- These Junction Boxes facilitate the parallel connection of blasting circuits to blasting wire (JB-03) or blasting cable (JB-04).

Notice and Maintenance

- All service work must be performed by authorised AEC Electronics personnel only.
- Not approved for use in fiery mines.

Specifications



IA Certificate Number	E-XPS/11191.
Function	JB-03: Parallel connection of blasting circuits to blasting wire. JB-04: Parallel connection of blasting circuits to blasting cable.
Short Links for Unused units	Must not be used.
Blasting Wires/Cable Glands	JB-03: four 4-6mm wire glands. JB-04: two 20mm holes provided for No. 1 or No. 2 glands.
Output Terminals	Brass.
Enclosure	PVC, sealed to IP55 for all four models.
Unit Dimensions	160mm x 80mm x 93mm.
Unit Mass	0.18kg.

Warning and Disclaimer

The information and recommendations in this document are provided for reference purposes only and should not be construed as advice to cover every application of the product or variation of conditions under which the product may be used.