

Intelligent Blasting Booster Model IB651



Features

- The IB651 has been specifically designed for the Intelligent Centralized Blasting System and is remotely controlled from the Intelligent Blasting Control unit Model IBC-1.
- The IB651 can successfully fire over a wide voltage range (160-250V_{AC}).
- Guaranteed output energy for reliable firing of up to 12 Type 0 Standard or up to 6 Electric Shock Tube Starters in parallel via 3Ω (350m, 4mm²) firing cable.
- The IB651 incorporates a hard interlock to individually isolate each Booster from the supply cable network.
- Continuous monitoring of the blasting circuit and key switch position is performed.
- No local power supply required.
- The IB651 is supplied in a sealed, lockable enclosure with a polycarbonate window to allow full view of the unit and includes two glands for the supply cables and a pair of spring-loaded terminals for the connection of the blasting cables.

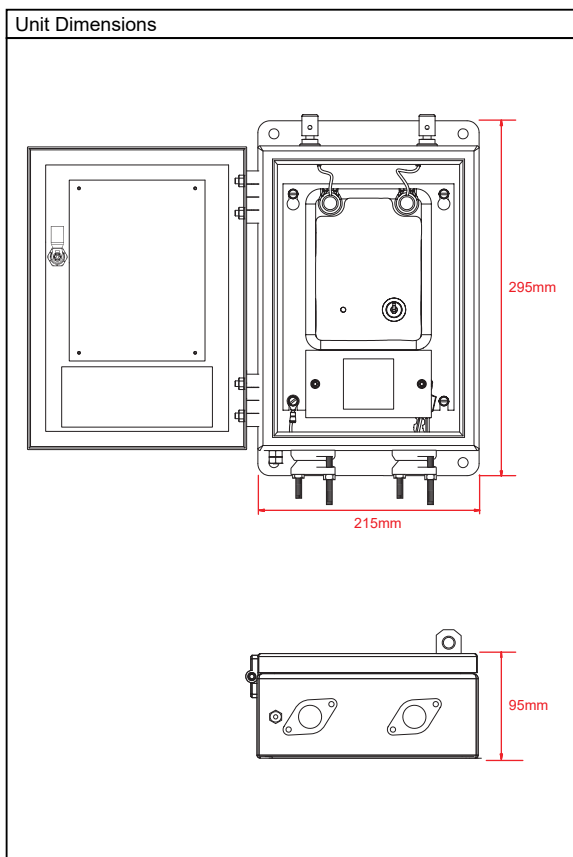
Operation

- Owing to the extremely low supply current requirements, only light feed cables (1.5mm²) interlinking all Boosters at each level are required.

Notice and Maintenance

- All service work must be performed by authorised AEC Electronics personnel only.

Specifications



IA Certificate Number	E-XPS/16087.
Nominal Energy	8.0J.
Output Voltage	580V.
Firing Time Delay	3-15s depending on the mains supply voltage.
Firing Capacity	12 Type 0 or up to 6 Electric Shock Tube Starters in parallel via 3Ω (350m, 4mm ²) firing cable.
Supply Voltage	Modified 160-250V _{AC} 50Hz; does not fire at less than 100V _{AC} 36V _{DC} in cable network test (standby) mode.
Supply Current	Less than 50mA _{AC} in firing mode; less than 3.0mA _{DC} in standby mode.
Status Light	Flashes GREEN: unit not armed and blasting circuit not connected. Flashes RED/GREEN: either unit armed or blasting circuit connected. Flashes RED: unit armed and blasting circuit connected. Flashes rapidly RED/BLUE in between cycles: uplink to ISC-1 lost. Permanently RED: V _{AC} firing voltage is supplied. Flashes BLUE: unit successfully fired. Off: there is a fault in the supply cable network or power is off.
Firing Switch	Inhibits firing when in the OFF position; does not affect the operation of the supply light.
Construction	Encapsulated circuitry in an IP65, sealed, plastic enclosure which is housed in a sealed, lockable, steel cabinet with a polycarbonate window allowing full view of the IB651.
Unit Dimensions	Plastic enclosure: 163mm x 125mm x 66mm. Steel enclosure: 295mm x 215mm x 95mm.
Unit Mass	5.6kg.
Temperature Range	-5°C to 45°C.

Warning and Disclaimer

The information and recommendations in this document are provided for reference purposes only and should not be construed as advice to cover every application of the product or variation of conditions under which the product may be used.