

Delay Booster for Parallel Firing Model 552B



Overview

- The 552B is capable of firing up to 15 Type 0 Standard or up to 3 Type 1 (Shocktube Initiator or Statsafe®) electric initiators/detonators connected in parallel via 3Ω (350m, 4mm²) firing cable.
- An indicator light flashes at 1 second intervals during the timing cycle. The light turns on at the end of the delay timing cycle and 10-15 seconds later the unit fires.
- The 552B is operated by means of a key switch and fires after the time indicated on the front panel.

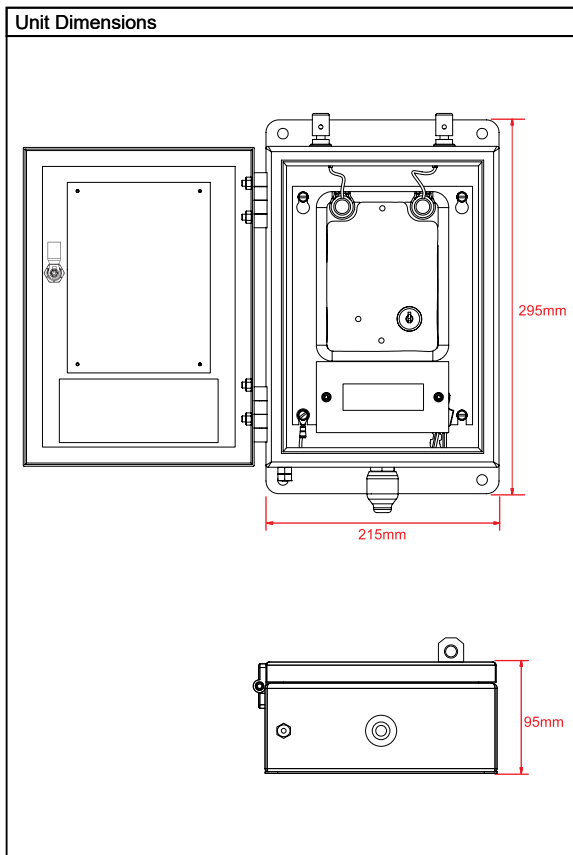
Features

- The key is removable in the OFF and ARMED positions preventing unauthorised use. Switching the 552B off and then on again resets the circuit to its full time delay period.
- Short duration mains supply interruptions do not affect the operation.
- The 552B can perform several timing/blasting operations even when Mains is not available.
- A single light is used for timing and charging cycle indication. Failure of this light can therefore easily be detected.
- The 552B is supplied in a sealed, lockable enclosure with a polycarbonate window to allow full view of the unit.

Notice and Maintenance

- All service work must be performed by authorised AEC Electronics personnel only.

Specifications



IA Certificate Number	E-XPS/13202A.
Nominal Firing Voltage	450V.
Nominal Output Energy	45J.
Nominal Firing Time	1 hour; other delays are available on request.
Arming Mechanism	Key switch.
Firing Capacity	15 Type 0 Standard or up to 3 Type 1 (Shocktube Initiator or Statsafe®) electric initiators/detonators connected in parallel via 3Ω (350m, 4mm ²) firing cable.
Timing Indicator	Flashes every 1s during timing intervals, lights up for 10-15s before firing.
Battery Backup	At least 10 timing/firing cycles are possible with Mains switched off, provided the built-in battery is fully charged.
Mains Supply Voltage	220V _{AC} 50Hz.
Construction	Encapsulated circuitry in a plastic enclosure which is housed in a sealed, lockable steel cabinet with a polycarbonate window allowing full view of the 552B.
Unit Dimensions	Plastic enclosure: 163mm x 125mm x 66mm. Steel enclosure: 295mm x 215mm x 95mm.
Unit Mass	6.9kg.
Temperature Range	-5°C to 45°C.

Warning and Disclaimer

The information and recommendations in this document are provided for reference purposes only and should not be construed as advice to cover every application of the product or variation of conditions under which the product may be used.